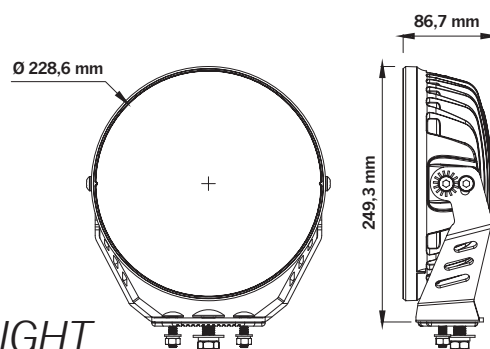


strands[®]

-lighting division



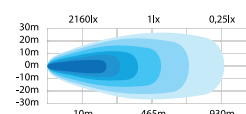
SIBERIA NR DRIVING LIGHT 9" LED

E-APPROVED / WHITE AND AMBER POSITION LIGHT



Voltage	9-35V DC
Consumption	145W
Theoretical lumen	20 400
Actual lumen	13 377
1 lux @	465m
IP-class	IP67/IP69K
Beam pattern	Combo
Position light	White and amber
Connection	DT-4
Cable length	500mm

Material housing	Aluminium
Material lens	Polycarbonate
Diameter	228,6mm
Depth	86,7mm
Height including bracket	249,3mm
Operating temperature	-20°C - +45°C
E-approved	ECE R112, R7
Ref	30
EMC-certificate	ECE R10



Part No. 809188