

TECHNICAL DETAILS

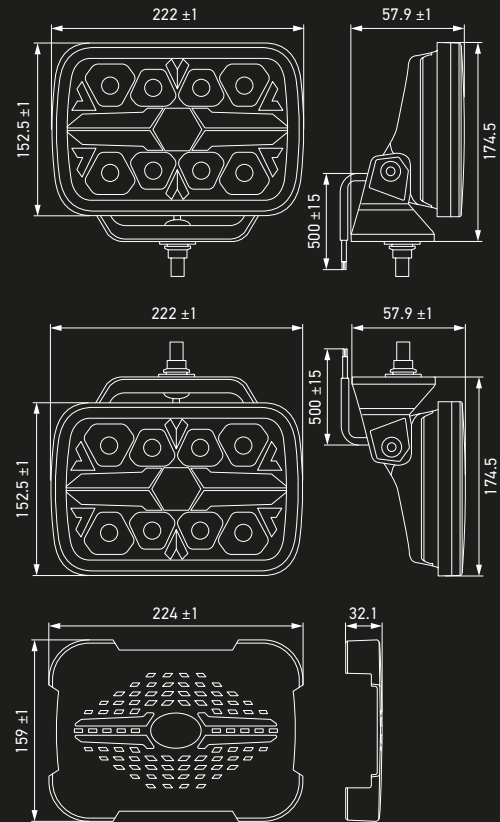
BLADE RE 9 INCH RECTANGULAR



Technical Data	
Rated voltage	Multi-voltage
Operating voltage	12–24 V DC
Power consumption	36 W
Light function	Auxiliary high beam headlamp and PO light
Light source	LED
Colour temperature	6,000 K (headlamp)
Material	Housing: Aluminium Bezel: Plastic (ABS) Lens: PC (Polycarbonate) Bracket: Plastic / glass fibre PA66 + GF
Housing colour	Chrome
Weight	1,550 g
Temperature range	Ambient temperature: -30 °C to +60 °C Storage temperature: -40 °C to +80 °C
Degree of protection	IP 69K, IP 67
Type approval	ECE R10 (EMC), R148,R149
Ref. no.	25
Number of LEDs	8
Mounting	Upright or pendant
Connection	500 mm cable with open ends
Application	Trucks in local, long-distance and construction traffic and SUVs, off-road vehicles, off-roaders

The AMBER position light does not have ECE approval: use may be limited to off-road areas off the public roads according to local regulations (see installation instructions).

Dimensional Sketch



Rectangular cover, 9 inch (8XS 358 198-021, optional accessories)

Note:



PROGRAM OVERVIEW

Product Image	Variant	Description	Position Light Colour	Part Number
	HELLA VALUEFIT Chrome Blade RE 9 inch rectangular	Upright	White or amber (connection optional)	1FJ 357 199-081
		Pendant		1FJ 357 199-091



IT DELIVERS WHAT IT PROMISES

Resilience!

It stays planted on its throne: the **HELLA VALUEFIT Blades** are high-quality, robust auxiliary headlamps with a sturdy aluminium housing. Once mounted, they stay firmly in place thanks to their black screws. Nothing will throw the fibreglass fastening bracket off track in a hurry. They are attached upright, with one small exception: the rectangular HELLA VALUEFIT Chrome Blade RE 9" has an upright or pendant mounting option.



YOUR POSITION: RIGHT IN FRONT

No matter where you are – whether on the road or next to it.

The new **HELLA VALUEFIT Blade series** brings powerful light onto the roads and makes a statement on every vehicle thanks to its striking design – whether as a high beam with reference number 25 or 50, or as a position light. The round designs in the two sizes 7" and 9" are available with a chrome or black housing.

However, that's not all: For the first time, HELLA is launching an amber position light for off-road use. All round designs are therefore also available as a white-amber variant. The best part: you decide which colour it will be when you install it! The rectangular 9" version with chrome design ring is also available with either a white or amber position light.

You see: There's something for everyone - equip your truck hanger with majestic high performers or give your off-road vehicle a royal makeover.



STREET



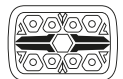
DRIVING
LIGHT



POSITION
LIGHT



DRIVING
LIGHT



POSITION
LIGHT

OFFROAD ONLY



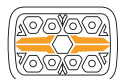
DRIVING
LIGHT



POSITION
LIGHT



DRIVING
LIGHT



POSITION
LIGHT

THE CHOICE IS YOURS...



...rule the roads

The **HELLA VALUEFIT Blades** are the only emblem you need: The auxiliary headlamps combine innovative LED design with razor-sharp contours. The white blades in 7" or 9" accompany you confidently on public roads – as a high beam and position light in one.





... or rule off the road!

For the first time, all round and square 7" and 9" variants of the **HELLA VALUEFIT Blade series** are available with an optional amber position light – for an individual, attention-grabbing vehicle style. Unique style is accompanied by powerful performance. Exactly what you need when offroading!

STRIKING FEATURES



**Get that extra wow factor –
with the right accessories.**

The right cap for every position light. The headlamp covers for the **HELLA VALUEFIT Blade** are made especially for offroad use – matte black, easy to attach and securely held. And also unmistakable, thanks to the HELLA logo.

The clincher is that the position light design continues to be visible – it looks rather extravagant and can be seen at long distances.